

NF665/15(CE)

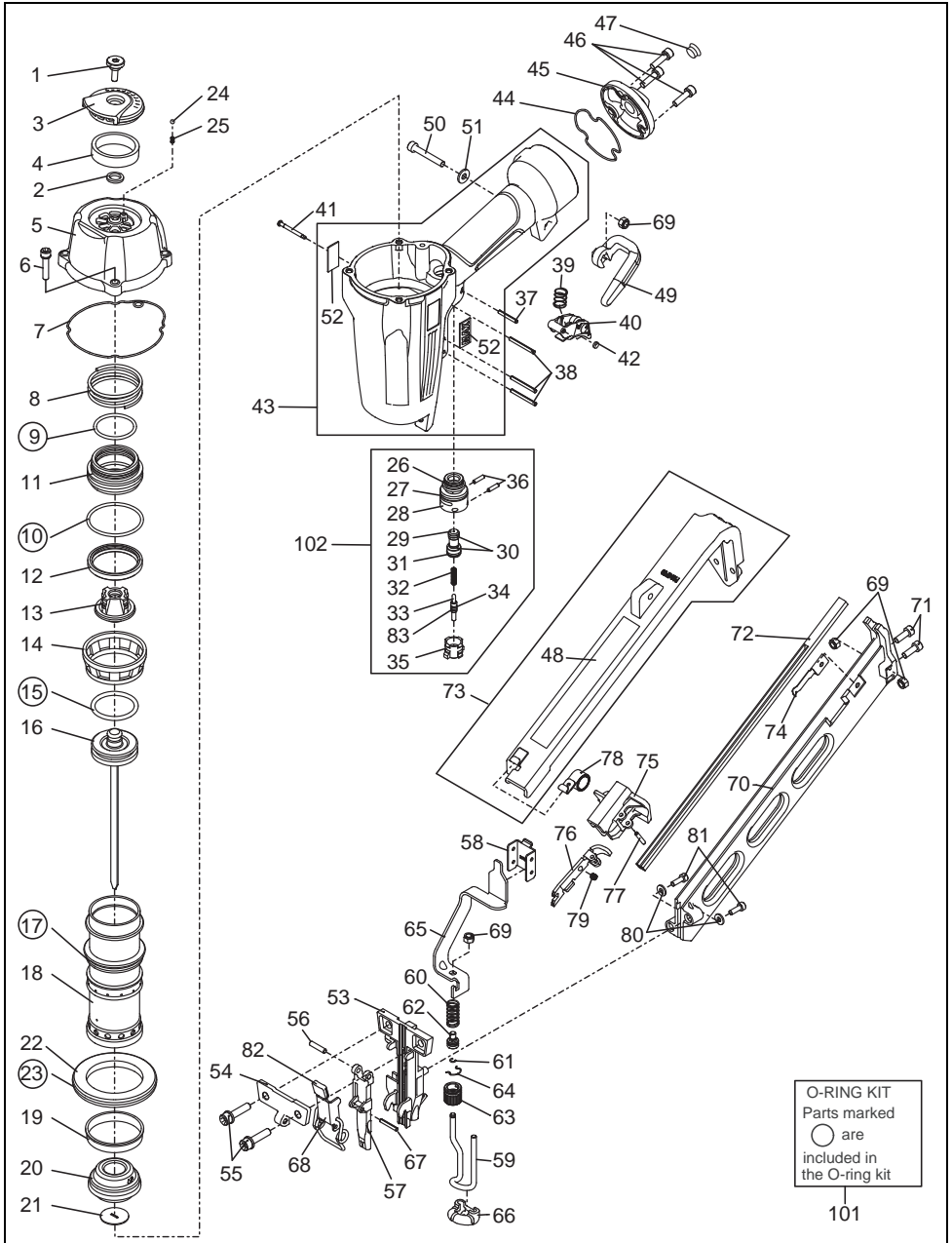
EXPLODED
VIEW AND SPARE
PARTS LIST

EINZELTEILDAR-
STELLUNG UND
ERSATZEILLISTE

SCHEMA ECLATE ET
LISTE DES PIÉCES
DE RECHANGE

ESPLOSO DEI
COMPONENTI DE
ELENCO DELLE
PARTI DI RICAMBIO

DESPIECE DE LA
MAQUINA Y LISTA
DE RECAMBIOS



NF665/15(CE) - Parts List

Part No.	Part Code	Description
1	TA19716	EXHAUST SCREW
2	TA19717	EXHAUST SPACER
3	TA19718	EXHAUST COVER
4	TA19719	EXHAUST FILTER
5	TA19721	CYLINDER CAP
6	TA19803	HEX.SOC.HD.CAP SCREW A
7	TA19722	CYLINDER CAP SEAL
8	TA19723	COMPRESSION SPRING 972
9	TA19724	O-RING 9724
10	TA19725	O-RING 9725
11	TA19726	HEAD VALVE PISTON
12	TA19727	CYLINDER SEAL
13	TA19728	PISTON STOP
14	TA19802	CYLINDER WASHER(AFTER)
15	HH11174	O-RING 1A P35
16	TA70400	MAIN PISTON UNIT
17	TA19731	O-RING 9731
18	TA19732	CYLINDER
19	TA19733	CHECK VALVE
20	TA19734	BUMPER
21	TA19735	NOZZLE
22	TA19736	CYLINDER RING
23	TA19737	O-RING 9737
24	TA19795	STEEL BALL
25	TA19794	COMPRESSION SPRING 979
26	TA19738	O-RING 9738
27	TA19739	O-RING 9739
28	TA19740	TRIGGER VALVE HOUSING
29	TA19741	PILOT VALVE
30	TA19742	O-RING 9742
31	TA19743	O-RING 9743
32	TA19744	COMPRESSION SPRING 974
33	TA19745	TRIGGER VALVE STEM
34	TA19159	O-RING 9159
35	TA19746	TRIGGER VALVE CAP
36	TA19747	SPRING PIN 9747
37	TA19748	SPRING PIN 9748
38	TA19749	SPRING PIN 9749
39	TA19750	COMPRESSION SPRING 975
40	TA19751	TRIGGER UNIT
41	TA19752	STEP PIN 9752
42	TA18927	RUBBER WASHER
43	TA70397	FRAME UNIT
44	TA19755	END CAP SEAL
46	TA19756	END CAP
46	TA19757	HEX.SOC.HD.CAP SCREW A
48	TA19817	NAME LABEL
49	TA19758	HOOK

50 TA19759	HEX.SOC.HD.CAP SCREW
51 TA19760	WASHER
52 TA18930	NAME PLATE
53 TA19761	NOSE
54 TA19762	DRIVER GUIDE B
55 TA19763	HEX.SOC.HD.CAP SCREW A
56 TA19764	STRAIGHT PIN
57 TA19765	DRIVER GUIDE A
58 TA19766	ARM GUIDE
59 TA19767	CONTACT ARM B
60 TA19768	COMPRESSION SPRING 976
61 TA19769	C-RING
62 TA19770	CONTACT BOLT
63 TA19771	ADJUST DIAL
64 TA19772	C-RING
65 TA19773	CONTACT ARM A
66 TA19774	CONTACT TOP
67 TA19775	SPIRAL PIN
68 TA19776	FRONT LATCH UNIT
69 TA19777	NUT
70 TA19778	MAGAZINE A
71 TA19779	HEX.SOC.HD.CAP SCREW
72 TA19780	NAIL COVER
73 TA81291	MAGAZINE ASSY (CE)
74 TA19782	NAIL STOPPER
75 TA19783	PUSHER HOLDER
76 TA19784	PUSHER
77 TA19785	SPRING PIN 9785
78 TA19786	SPIRAL SPRING UNIT
79 TA19787	COMPRESSION SPRING 978
80 TA19788	WASHER
81 TA18935	HEX.SOC.HD.CAP SCREW
82 TA19796	LATCH COVER
101 TA81289	O-RING KIT
102 TA81290	TRIGGER VALVE KIT