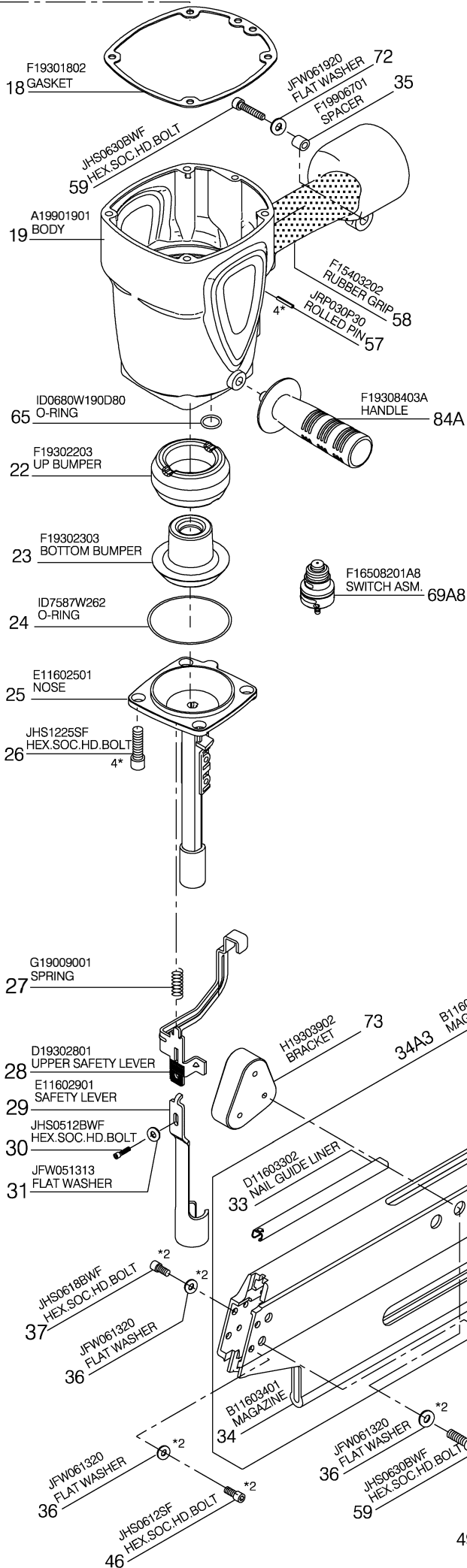
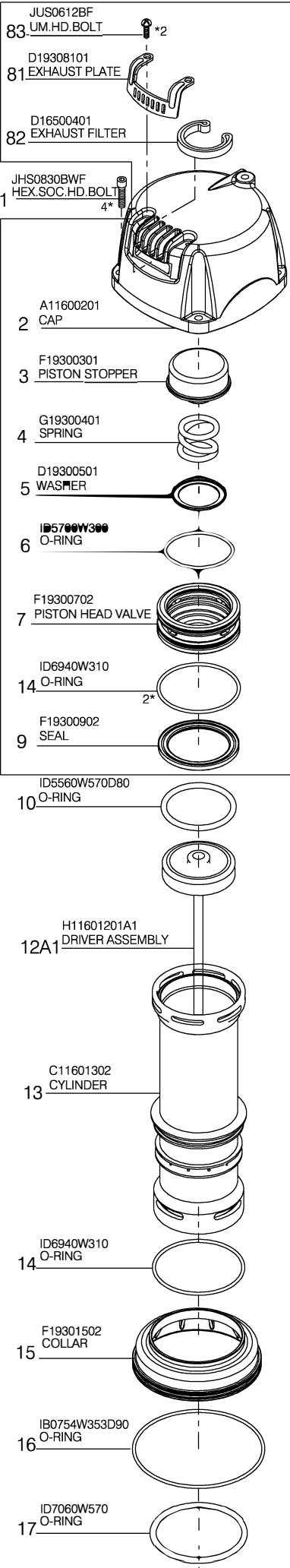
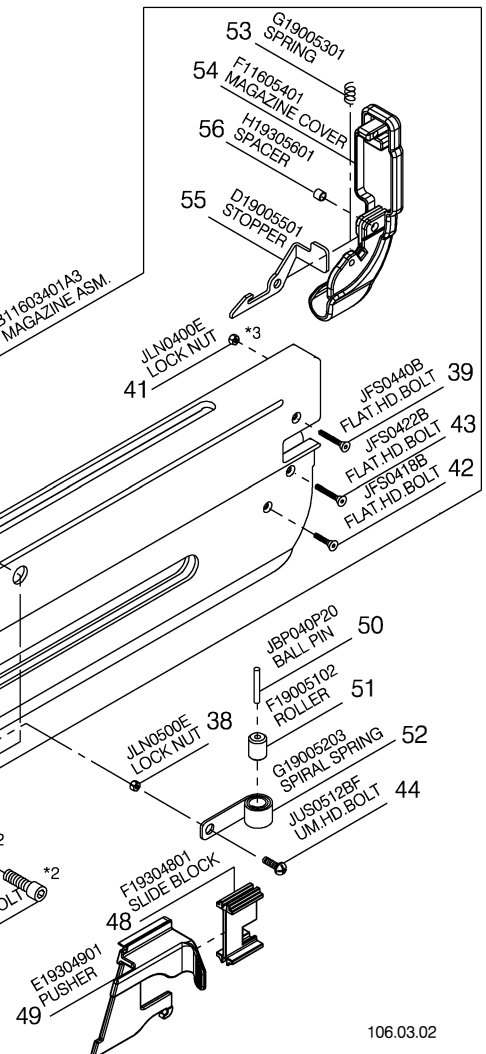
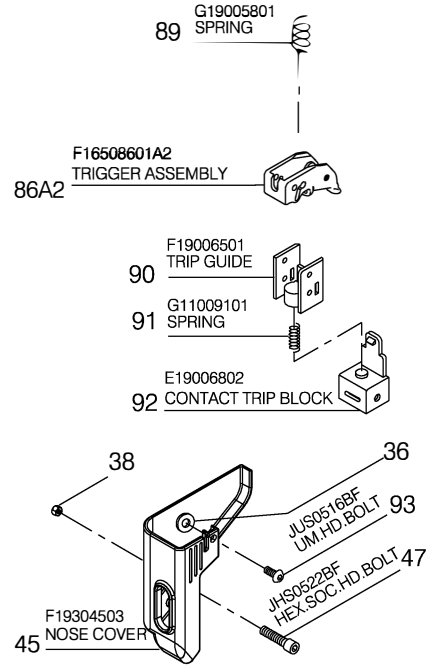


2A1 A11600201A1  
CAP ASM.



ANS21161



N°	Code	Description
2A1	A11600201A1	CAP ASM.
83	JUS0612BF	UM.HD.BOLT
81	D19308101	EXHAUST PLATE
82	D16500401	EXHAUST FILTER
1	JHS0830BWF	HEX.SOC.HD.BOLT
2	A11600201	CAP
3	F19300301	PISTON STOPPER
4	G19300401	SPRING
5	D19300501	WASHER
6	ID5700W300	O-RING
7	F19300702	PISTON HEAD VALVE
14	ID6940W310	O-RING
9	F19300902	SEAL
10	ID5560W570D80	O-RING
12A1	H11601201A1	DRIVER ASSEMBLY
13	C11601302	CYLINDER
14	ID6940W310	O-RING
15	F19301502	COLLAR
16	IB0754W353D90	O-RING
17	ID7060W570	O-RING
18	F19301802	GASKET
59	JHS0630BWF	HEX.SOC.HD.BOLT
72	JFW061920	FLAT WASHER
35	F19906701	SPACER
19	A19901901	BODY
58	F15403202	RUBBER GRIP
57	JRP030P30	ROLLED PIN
65	ID0680W190D80	O-RING
22	F19302203	UP BUMPER
23	F19302303	BOTTOM BUMPER
24	ID7587W262	O-RING
25	E11602501	NOSE
26	JHS1225SF	HEX.SOC.HD.BOLT
27	G19009001	SPRING
28	D19302801	UPPER SAFETY LEVER
29	E11602901	SAFETY LEVER
30	JHS0512BWF	HEX.SOC.HD.BOLT
31	JFW051313	FLAT WASHER
37	JHS0618BWF	HEX.SOC.HD.BOLT
36	JFW061320	FLAT WASHER
46	JHS0612SF	HEX.SOC.HD.BOLT
89	G19005801	SPRING
86A2	F16508601A2	TRIGGER ASSEMBLY
69A8	F16508201A8	SWITCH ASM.
90	F19006501	TRIP GUIDE
91	G11009101	SPRING
92	E19006802	CONTACT TRIP BLOCK
93	JUS0516BF	UM.HD.BOLT

N°	Code	Description
47	JHS0522BF	HEX.SOC.HD.BOLT
45	F19304503	NOSE COVER
34A3	B11603401A3	MAGAZINE ASM.
73	H19303902	BRACKET
53	G19005301	SPRING
54	F11605401	MAGAZINE COVER
56	H19305601	SPACER
55	D19005501	STOPPER
41	JLN0400E	LOCK NUT
39	JFS0440B	FLAT HD. BOLT
43	JFS0422B	FLAT HD. BOLT
42	JFS0418B	FLAT HD. BOLT
33	D11603302	NAIL GUIDE LINER
34	B11603401	MAGAZINE
50	JBP040P20	BALL PIN
51	F19005102	ROLLER
38	JLN0500E	LOCK NUT
59	JHS0630BWF	HEX.SOC.HD.BOLT
49	E19304901	PUSHER
48	F19304801	SLIDE BLOCK
52	G19005203	SPIRAL SPRING
44	JUS0512BF	UM.HD.BOLT
84A	F19308403A	HANDLE ASM.