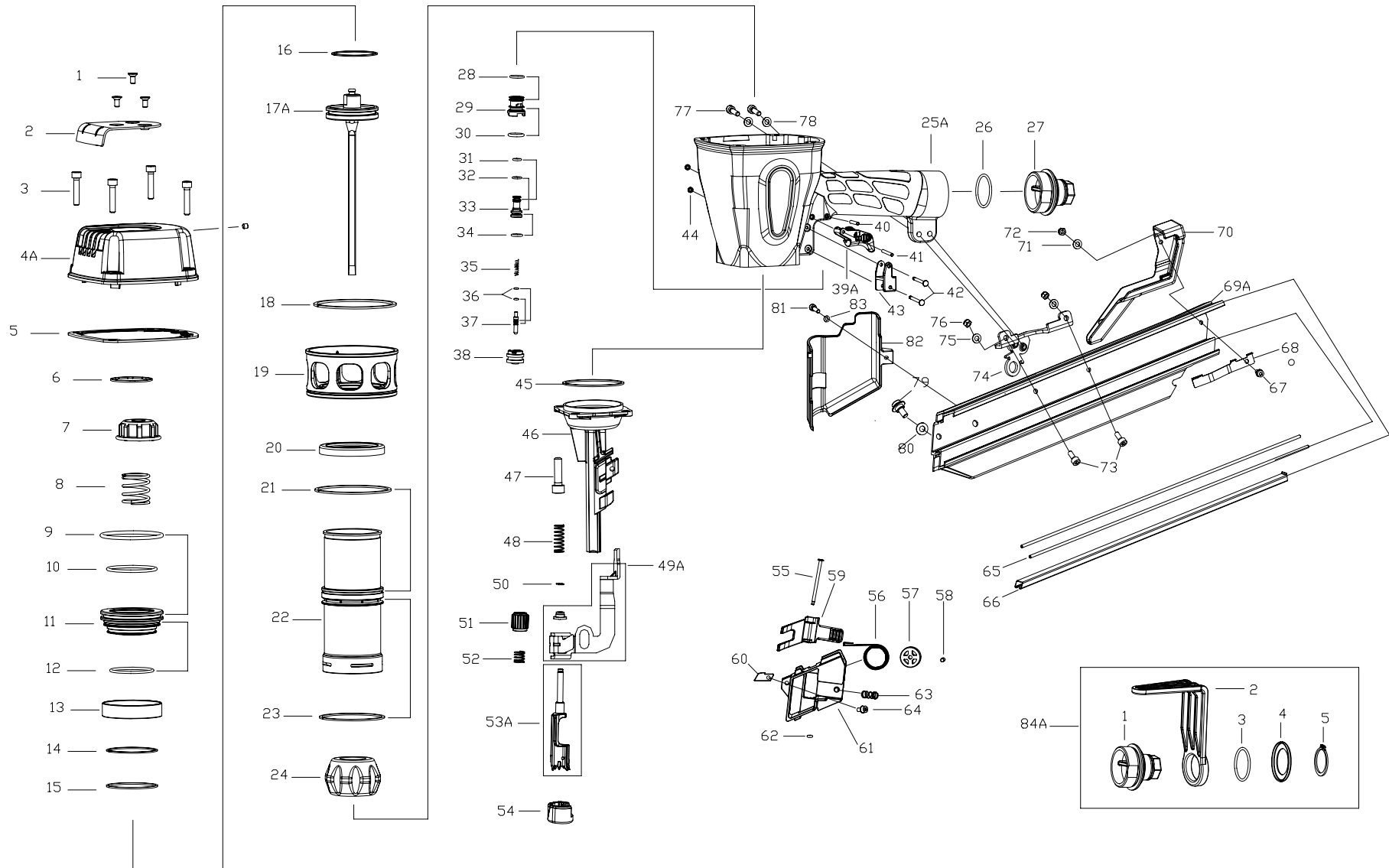


# ANS34100 AERFAST



ANS34100 AERFAST

Item No.	Part No.	Description	Q'ty	Item No.	Part No.	Description	Q'ty	
1	32905110166	Hex.Soc.Hd.Bolt	3	51	21731601015	Adjusting Nut	1	
2	21730010001	Deflector	1	52	21731630001	Adjusting Spring	1	
3	31606300166	Hex.Soc.Hd.Bolt	4	53A	21541511001	Lower Safety Lever Assy.	1set	
4A	215400210XX	Cap Assembly	1set	54	20981580015	Rubber Pad	1	
5	21730130015	Gasket	1	55	21011270001	Nail Guide Pin	1	
6	20560210001	Washer	1	56	21692090000	Spiral Spring	1	
7	21730140017	Piston Stopper	1	57	21732110016	Roller	1	
8	21730160000	Spring	1	58	20330500000	Pin	1	
9	30700138000	O-Ring	1	59	21542130066	Pusher	1	
10	30700049000	O-Ring	1	60	22102450001	Safety Lock-out	1	
11	21730150000	Piston,Head Valve	1	61	21542150015	Carriage	1	
12	30700177000	O-Ring	1	62	30700078000	Grommet	1	
13	21220260000	Piston,Head Valve	1	63	21692330001	Spring	1	
14	21220170015	Seal, Piston Head Valve	1	64	31604080166	Hex.Soc.Hd.Bolt	1	
15	21220280001	Retaining Ring	1	65	22542060001	Nail Guide Liner	2	
16	30700075000	O-Ring	1	66	22542070002	Wear Rail	1	
17A	21540461001	Driver Assembly	1set	67	31604120166	Hex.Soc.Hd.Bolt	1	
18	30700155000	O-Ring	1	68	21732190100	Stopper	1	
19	20560340016	Cylinder Hold Down	1	69A	21542051097	Magazine Assembly	1	
20	20560250017	Seal	1	70	21542180015	Magazine Cover	1	
21	30700140000	O-Ring	1	71	30900009001	Flat Washer	1	
22	21540350000	Cylinder	1	72	31804070066	Cap Locknut	1	
23	30700074000	O-Ring	1	73	31605120766	Hex.Soc.Hd.Bolt	2	
24	21540470015	Bumper	1	74	22102170001	Bracket	1	
25A	217306020XX	Body Assembly	1set	75	30900016001	Flat Washer	2	
26	30700185000	O-Ring	1	76	30605080001	Locknut	2	
27	207707X02XX	End Cap	1	77	30105180166	Hex.Soc.Hd.Bolt	2	
28	30700079000	O-Ring	1	78	30900016001	Flat Washer	2	
29	20770900016	Valve	1	79	33106090766	Spec Hex.Bolt	1	
30	30700081000	O-Ring	1	80	30900025001	Flat Washer	1	
31	30700002000	O-Ring	1	81	30104080166	Hex.Soc.Hd.Bolt	1	
32	30700201000	O-Ring	1	82	22101550115	Safety cover	1	
33	20770910016	Valve Plunger	1	83	30900020001	Flat Washer	1	
34	30700071000	O-Ring	1					
35	20770960001	Spring	1					
36	30700080000	O-Ring	2					
37	20770920000	Plunger	1					
38	20770930016	Plunger Cap	1					
39A	21730952115	Trigger Assembly	1set					
40	30803220001	Spring Pin	1					
41	30803250001	Spring Pin	1	<b>Optional Parts</b>				
42	20770890001	Pin Trigger	2	84A	21730822015	Belt hook Assembly	1set	
43	21732840015	Guide,Safety Lever	1	84A-1	217308X00XX	End Cap	1	
44	30700078000	Grommet	2	84A-2	20560830115	Belt Hook	1	
45	30700051000	O-Ring	1	84A-3	30700101000	O-Ring	1	
46	21541130066	Nose	1	84A-4	20560840001	Cover Belt Hook	1	
47	30108250166	Hex.Soc.Hd.Bolt	4	84A-5	33428000001	C-Ring	1	
48	22101490001	Spring,Safety	1					
49A	22101481101	Upper Safety Lever Assy.	1					
50	31303000001	E-ring	1					

ANS34100#41541100100

5/12/2011