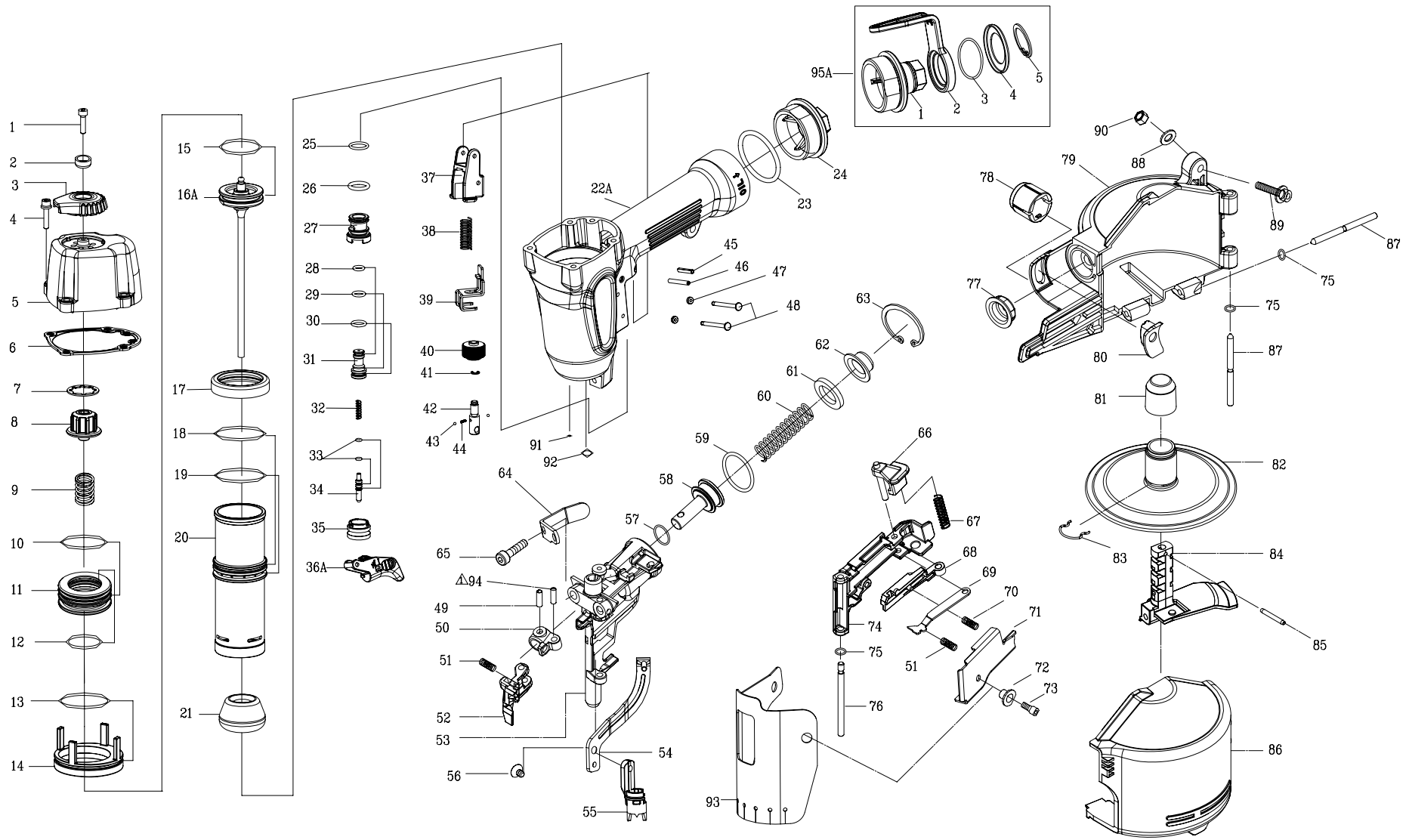


# ANC2150C AERFAST



ANC2150C AERFAST

Item No.	Part No.	Description	Q'ty
1	30104140766	Hex.Soc.Hd.Bolt	1
2	21030000001	Bushing, Deflector	1
3	21030010015	Deflector, Exhaust	1
4	31605220766	Hex.Soc.Hd.Bolt	4
5	216700200XX	Cap, Machined	1
6	21670131015	Casket, Cap	1
7	21670230000	Seal	1
8	21670140017	Piston Stopper	1
9	21670160000	Spring	1
10	30700226000	O-Ring	1
11	21670150100	Piston,Head ValveA	1
12	30700128000	O-Ring	1
13	30700113000	O-Ring	1
14	21670180016	Cylinder Seal	1
15	30700217000	O-Ring	1
16A	21670461101	Driver Assembly	1set
17	21670250017	Seal	1
18	30700039000	O-Ring	1
19	30700219000	O-Ring	1
20	21670350000	Cylinder	1
21	21670470015	Bumper	1
22A	216706020XX	Body Assembly	1set
23	30700185000	O-Ring	1
24	207707X02XX	End Cap	1
25	30700079000	O-Ring	1
26	30700081000	O-Ring	1
27	20770900016	Valve	1
28	30700002000	O-Ring	1
29	30700201000	O-Ring	1
30	30700071000	O-Ring	1
31	20770910016	Valve Plunger	1
32	20770960001	Spring	1
33	30700080000	O-Ring	2
34	22220920000	Plunger	1
35	20770930016	Plunger Cap	1
36A	22220952015	Trigger Assembly	1set
37	22222840215	Guide, Contact Trip	1
38	20771490001	Spring, Safety	1
39	22221480001	Contact Trip , Upper	1
40	21671600001	Adjusting Nut	1
41	31303000001	E-ring	1
42	21671500001	Adjusting Post	1
43	31200200000	Ball,Steel	2
44	20771630000	Adjusting Spring	1
45	30803220001	Spring Pin	1
46	30803250001	Spring Pin	1
47	30700078000	Grommet	2
48	20770890001	Pin Trigger	2
49	30804120001	Spring Pin	1
50	21671150001	Plate	1
51	21671120001	Spring	2
52	21671180001	Feed pawl	1
53	21671130001	NoseA	1
54	21671510001	Lower Safety Lever	1
55	21671520066	Safety Nose	1

Item No.	Part No.	Description	Q'ty
56	32905080166	Hex.Soc.Hd.Bolt	1
57	30700071000	O-Ring	1
58	21671140000	Feed Piston	1
59	30700007000	O-Ring	1
60	21671190001	Feed Spring	1
61	21671090017	Feed Piston Bumper	1
62	21671160001	Feed Piston Cover	1
63	32524000001	C-ring	1
64	21671540001	Guide,Safety Lever	1
65	30106250866	Hex.Soc.Hd.Bolt	2
66	21671230001	Lock Shaft	1
67	21671220001	Spring,Lock Shaft	1
68	21671200001	Nail Stopper A	1
69	21673530001	Nail Stopper B	1
70	21671300001	Spring	1
71	21671260001	Shaft Pin Nail Guide	1
72	21671570001	Washer	1
73	30104100166	Hex.Soc.Hd.Bolt	1
74	21671250066	Nail Guide	1
75	30700001000	O-Ring	3
76	21671270001	Pin	1
77	21671760017	Magazine Bustiin	1
78	21671580000	Rubber Pad	1
79	21671840017	Magazine	1
80	21671880015	Stop Slip	1
81	21671900016	Stop Cap	1
82	21671890017	Nail Holder	1
83	21672920000	C-ring	1
84	21671800017	Magazine Post	1
85	30805120001	Spring Pin	1
86	21671790017	Magazine Cover	1
87	21671780001	Shaft	2
88	30900008001	Seal	1
89	31605250166	Hex.Soc.Hd.Bolt	1
90	30605080001	Lock Nut	1
91	30700136000	O-Ring	1
92	30700027000	O-Ring	1
93	21671290000	Debris Shield	1
94	32104165012	Pin	1
<b>Optional Parts</b>			
95.A	20970832115	Belt Hook Assembly	1set
95A-1	209707X00XX	End Cap	1
95A-2	20970830115	Belt Hook	1
95A-3	30700188000	O-Ring	1
95A-4	20970840001	Cover Belt Hook	1
95A-5	33425000001	C-Ring	1